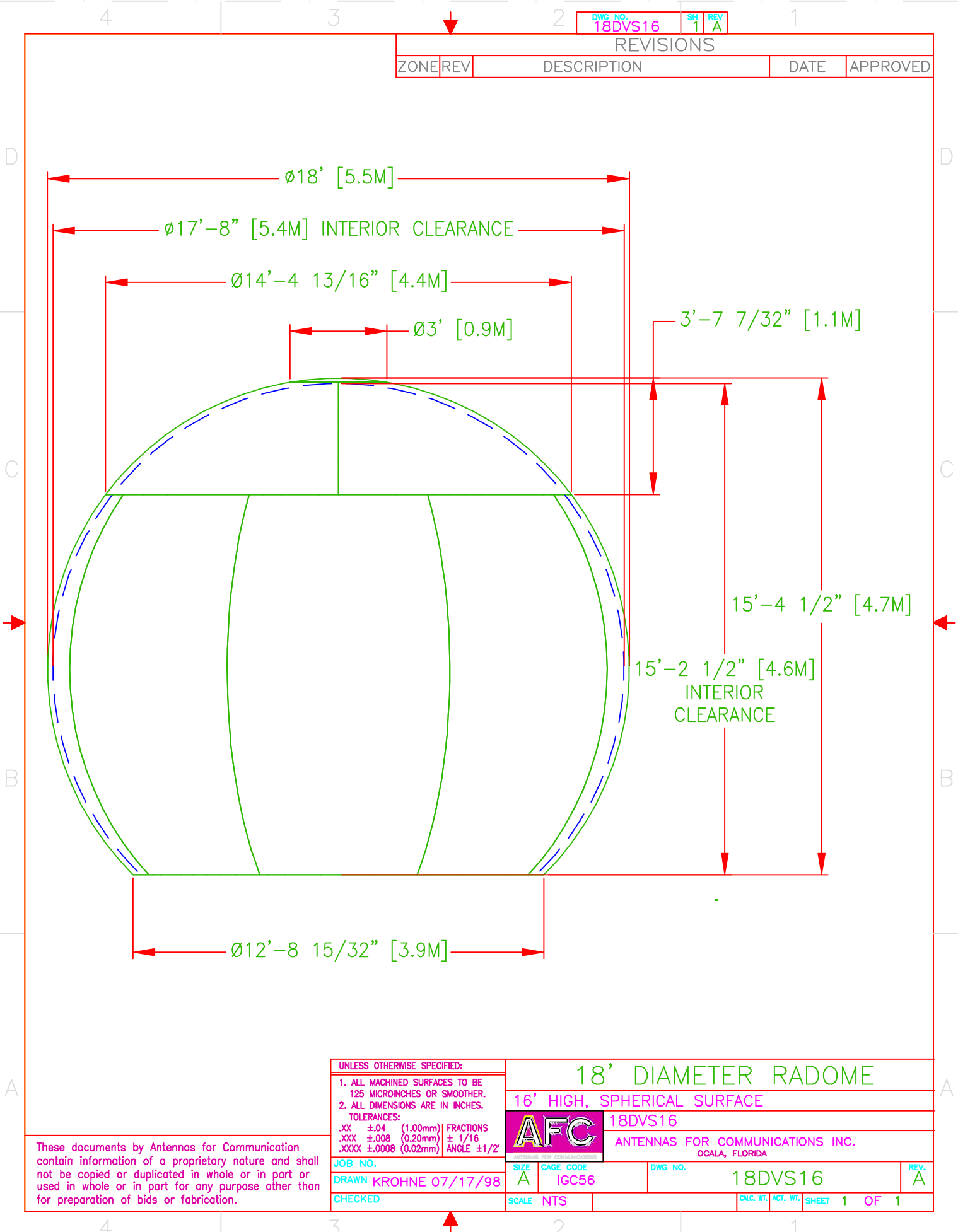


DWG. NO. 18DVS16 SH 1 REV A

REVISIONS				
ZONE	REV	DESCRIPTION	DATE	APPROVED



UNLESS OTHERWISE SPECIFIED:
 1. ALL MACHINED SURFACES TO BE 125 MICRONS OR SMOOTHER.
 2. ALL DIMENSIONS ARE IN INCHES.
 TOLERANCES:
 .XX ±.04 (1.00mm) FRACTIONS ± 1/16
 .XXX ±.008 (0.20mm) ANGLE ±1/2°
 .XXXX ±.0008 (0.02mm)

18' DIAMETER RADOME
 16' HIGH, SPHERICAL SURFACE
AFC 18DVS16
 ANTENNAS FOR COMMUNICATIONS INC.
 OCALA, FLORIDA

These documents by Antennas for Communication contain information of a proprietary nature and shall not be copied or duplicated in whole or in part or used in whole or in part for any purpose other than for preparation of bids or fabrication.

JOB NO.	SCALE	NTS	CALC. WT.	ACT. WT.	SHEET 1 OF 1
DRAWN KROHNE 07/17/98	SIZE A	CAGE CODE IGC56	DWG. NO. 18DVS16	REV. A	
CHECKED					